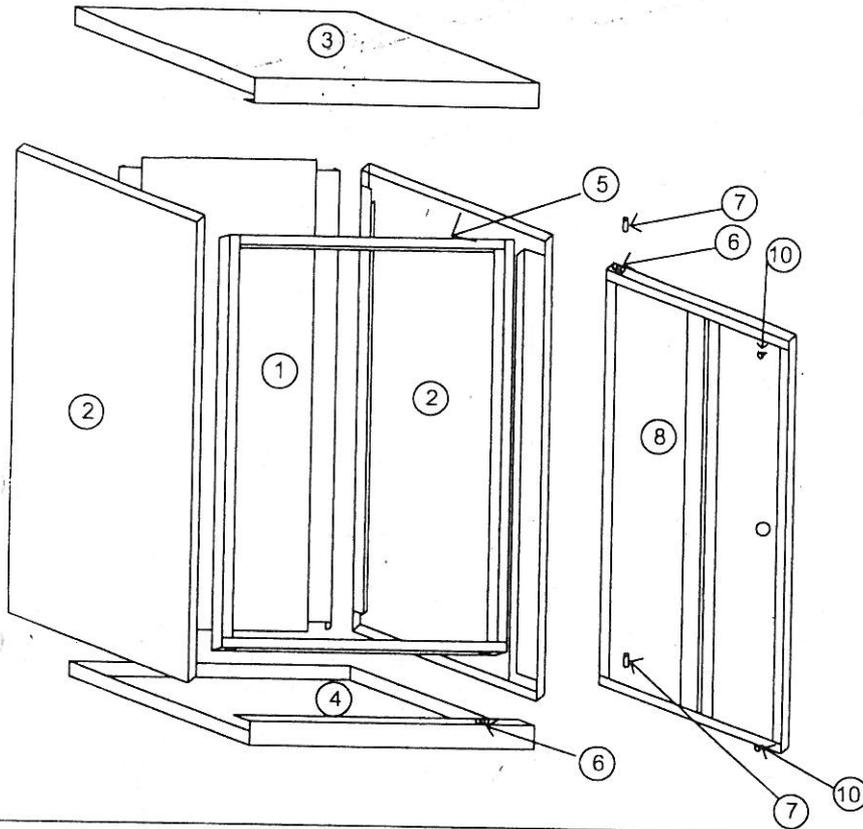
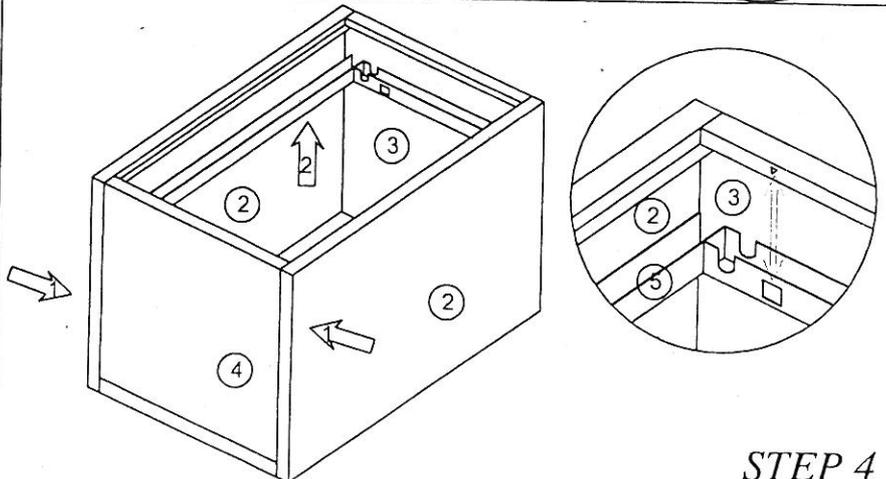
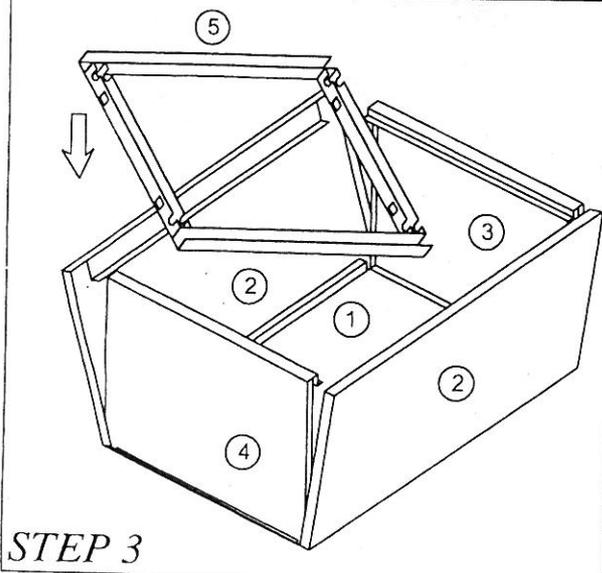
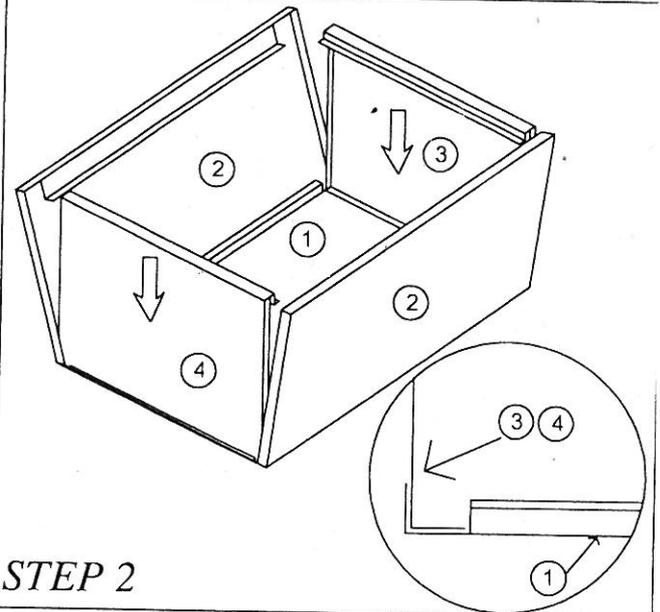
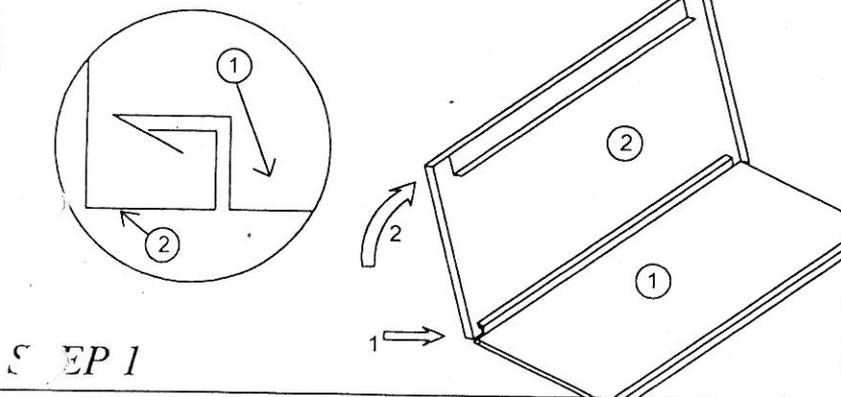


ASSEMBLY INSTRUCTIONS FOR PERSONAL LOCKER



PARTS LIST

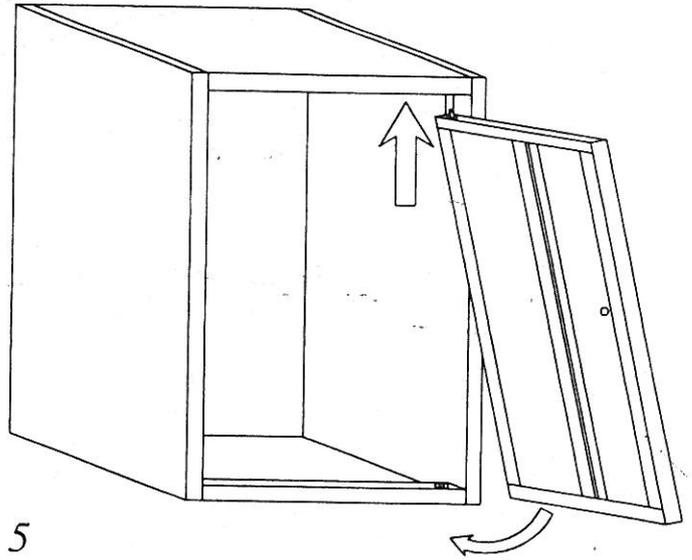
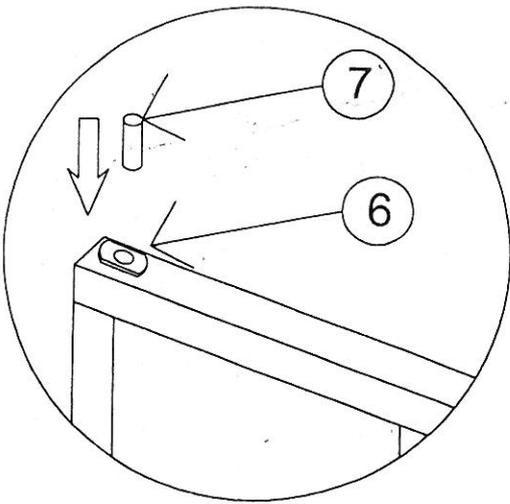
S No.	PART NAME	QTY
1	Back	01
2	Side	02
3	Top	01
4	Bottom with plastic bush	01
5	Rectangular Frame	01
6	Plastic Bush (fixed in door & bottom)	02
7	Hinge Pin	02
8	Door	01
9	Lock	01
10	Door Banger	02



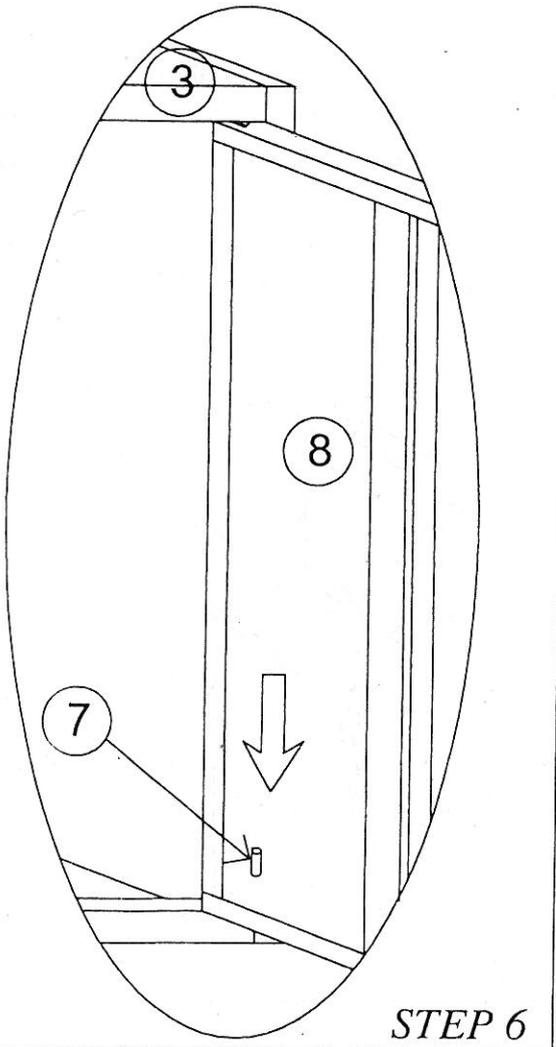
STEP 1

STEP 2

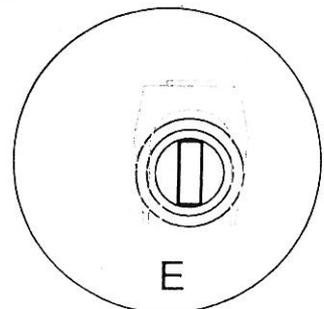
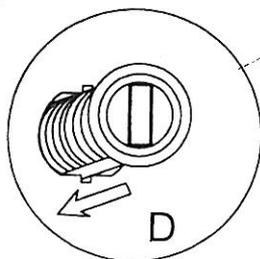
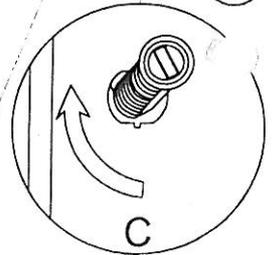
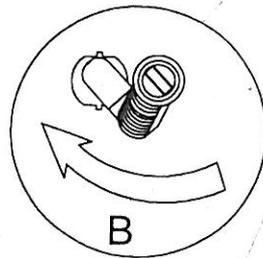
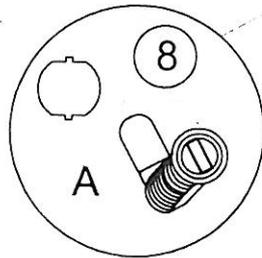
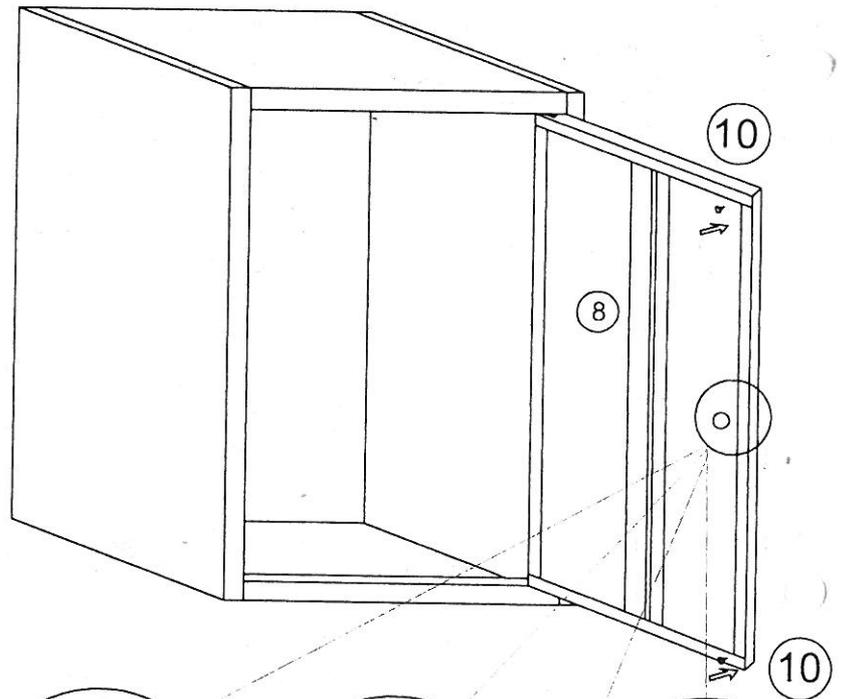
STEP 4



STEP 5

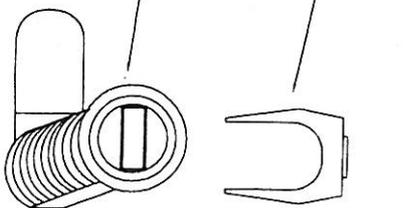


STEP 6



Lock

Lock Clip



STEP 7